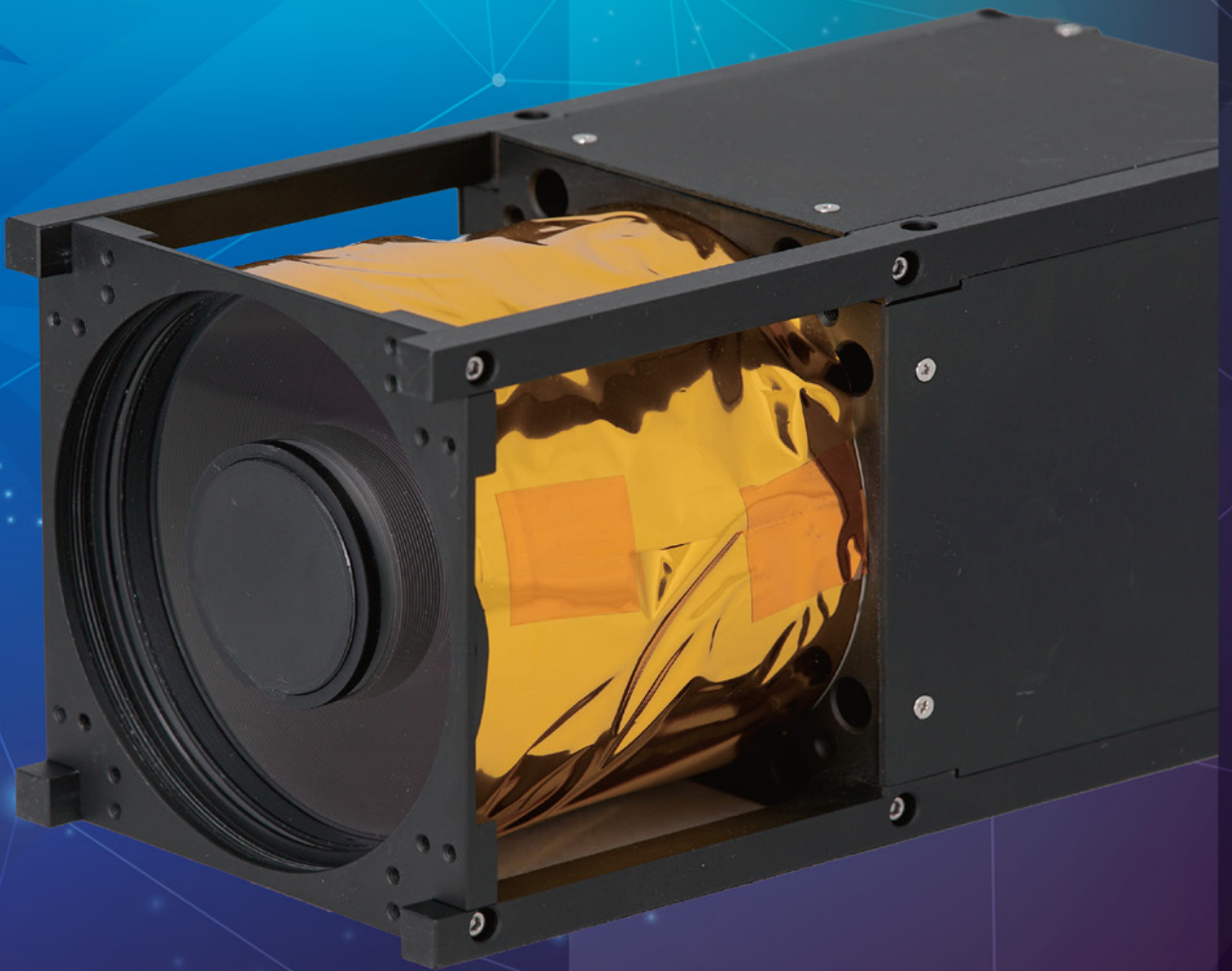




Liscotech

MicroEye

A High Performance Camera System for
Earth Observation Application



[CONTACT]

www.liscotech.com | info@liscotech.com

MicroEye A High Performance Camera System for Earth Observation Application

MicroEye is an imaging 2U System capable of 5.5 meter visible imagery. MicroEye has been designed to be implementable in a standard 2U CubeSat structure together with NSPO's x-band transmitter and on board computer module. It provides advanced performance with low cost by adopting advanced COTS technology. The compact size suits well for high dense packed satellites.

* NSPO : National Space Organization of Taiwan / <http://www.nspo.narl.org.tw>

APPLICATION

✓ Disaster warning	✓ Pipe/Transportation
✓ Farming	✓ Environment Management
✓ Forest Safety	✓ Military Surveillance

HIGHLIGHTED FEATURES

IMAGE ACQUISITION

- Image sensor : CMV8000
- 3360 (H) x 2496 (V) active pixels
- 4/3" optical format
- 5.5μm x 5.5μm pixel size
- 5.56V/lux.s sensitivity @ 550nm

INTEGRATED SYSTEM

- Industrial Lens
- 8-megapixel color sensor
- Capable data processing and storage on-board
- High bandwidth X-band Transmitter, 50Mbps (Option)

DATA PROCESSING

- Xilinx Kintex-7
- 2 GB on-board DDR3 RAM
- 128 GB solid state image storage
- RAW and CCSDS 122.0-B-1 Image Data Compression

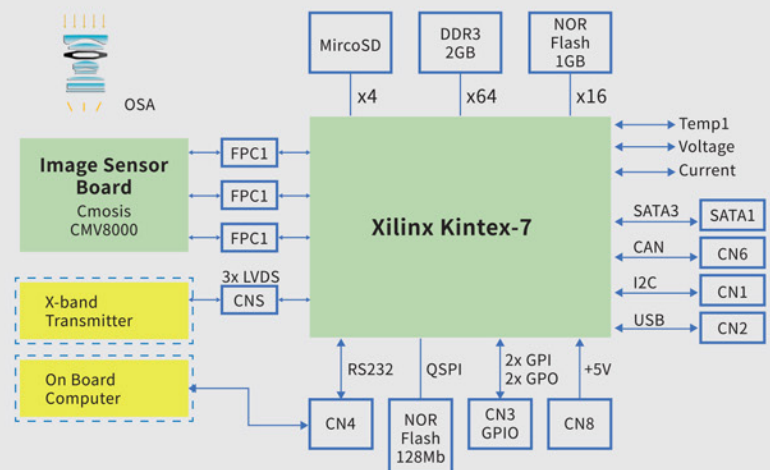
HIGH-END OPTICAL MECHANICAL SYSTEM

- Ground sampling distance @ 500km 5.5 m (mono) , 11m (color)
- Swath @ 500 km 9 km
- Focal length 500 mm
- Field of view ±0.5°

INTERFACE

- LVDS interface for high speed X-band Transmitter (50Mbps)
- SPI, CAN, I2C, and USB
- UART interface for on board computer

BLOCK DIAGRAM



QUALITY

- PCB IPC6012 Class 3
- IPC-A-610 Class 3 assembly

* Content subject to change without notice.